

# BRISTAN

## Liquorice Kitchen Sink Tap

### Installation Instructions & User Guide



Please keep these instructions for future reference and request of replacement parts

## Contents

Thank you for choosing Bristan, the UK's leading taps and showers expert. We have designed this product with your enjoyment in mind. To ensure that it works to its full potential, it needs to be fitted correctly. These fitting instructions have been created to give you all of the information you need and, if you need any further help, please do not hesitate to give us a call on 0844 701 6273.


Important Safety Information	03-04
General Specifications	04
Dimensions	05
Installation Requirements	05-06
Installation	06-08
Maintenance	09
Troubleshooting	10
Guarantee	11

## Important Safety Information

### Warning from your Water Supplier

- It could be a criminal offence to use this tap with a mains water supply drawn directly from the supply pipe.
- (The supply pipe is the one which brings the water supply into your home and is directly connected to the public water main).
- This tap has an outlet on a flexible hose which, if left immersed in water, could result in contaminated water being drawn back into the pipework if the supply pressure dropped. To prevent contamination of drinking water in the premises and in the water main, and to comply with the legal requirements of the UK plumbing regulations and byelaws\*, **both hot and cold water supplied to this tap must come from a storage cistern.**
- If the distributing pipes feeding this tap from the storage cistern have other outlets connected to them, the outlet of this tap must be lower than any of those other outlets.
- If installed as a tap which is used for drawing water for drinking, and the quality of water from the storage cistern does not meet the standards for drinking water, a separate tap supplied with wholesome water must be provided for drinking purposes.
- For further information, contact the Water Regulations department of your local Water Supplier (see the WRAS website [www.wras.co.uk](http://www.wras.co.uk) or Yellow Pages for details) or the Water Regulations Advisory Scheme by e-mail ([info@wras.co.uk](mailto:info@wras.co.uk)) or telephone: 01495 248454.
- The Water Supply (Water Fittings) Regulations 1999 in England and Wales; The Scottish Water Byelaws 2004 and Northern Ireland Regulations.

## Important Safety Information Cont.

- Please read these instructions thoroughly and retain for future use.
- All products manufactured and supplied by Bristan are safe provided they are installed correctly, used correctly and receive regular maintenance in accordance with these instructions.
- If you are in any doubt about your ability to install this product safely you must employ the services of an experienced qualified plumber.
- Remove all packaging and check the components for damage before starting installation.
-  Before starting any installation please consider the following: Prior to drilling into walls, check that there are no hidden electrical wires, cables or water supply pipes. This can be checked with the aid of an electronic detector.
- If power tools are used do not forget to:
  - Wear eye protection
  - Unplug equipment after use
- This product **must** not be modified in any way as this will invalidate the guarantee.
- These fittings need to be installed in accordance with and meet the requirements of the Water Supply (Water Fittings) Regulations 1999 and Scottish Byelaws 2004.

## General Specifications

Operating pressure range (bar)	Min	Max
	1.0	7.0

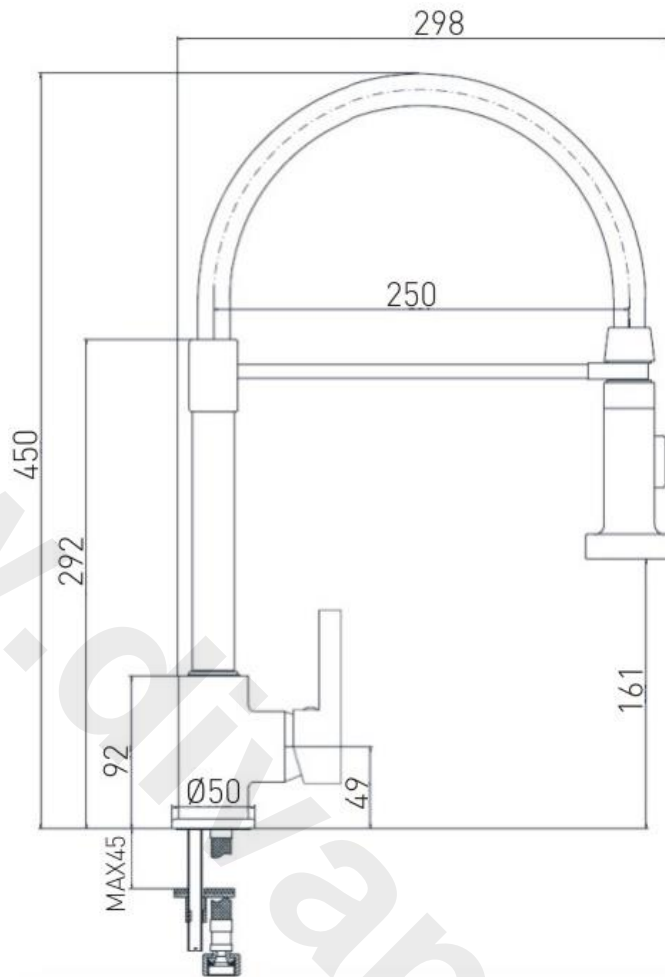
Maximum static pressure – 10.0 bar

NOTE:- Nominally equal (balanced) inlet supply pressures are recommended for optimum Performance of mixer taps.

Designed to comply with BS EN 200 for single taps / combination taps for water systems of type 1 and 2 general technical specifications; and to be used within systems designed to BS 6700.

BS 6700 recommends the temperature of stored water should never exceed 65°C. A stored water temperature of 60°C is considered sufficient to meet all nominal requirements and will minimise the build up of lime scale in hard water areas.

## Dimensions



## Installation Requirements.

This fitting needs to be installed in accordance with the following Installation Requirements and Notes (IRN) to ensure they meet the requirements of the Water Supply (Water Fittings) Regulations 1999 and the Scottish Byelaws 2004. For further details contact your Local Water Authority.

For backflow protection in premises or installations up to fluid category 5.

The vertical distance of the outlet above the spill-over level shall be not less than 20 mm or twice the diameter of the inlet pipe to the fitting, whichever is the greater. If the fitting cannot be installed as indicated it shall be installed:-

- With a backflow prevention arrangement suitable for the Fluid Category or
- so that it draws water by gravity only from a cistern, cylinder or tank having a permanently open vent pipe, the vertical distance between the point at which the pipe or pipes supply water to the fittings is or are connected to the supply and the spill-over level of any fixed appliances is not less than the dimensions stated above, and the vent pipe or pipes supply(ies) no other fittings (other than a draining tap) at a lower level.

## Installation Requirements Cont.

It is essential that all pipe work is flushed through to remove debris and swarf that could otherwise damage the fitting. Once the pipe work has been flushed through, turn off the water supply at the stop valve.

Two non-return valves are supplied with this mixer, one of each should be fitted in the hot and cold water supply to the mixer to prevent the possibility of backflow, however this mixer tap must be installed in accordance with the above mentioned Regulations.

**Important:** Independent stop valves complying with the current water regulations should be fitted as a means of isolating both water supplies to the fitting for servicing and/or maintenance work.

## Installation.

1. Identify all components and check for completeness, particularly before arranging installation. (See diagram of components on page 07).

1.	Hose	x1	12.	Cartridge	x1
2.	Spout Arm	x1	13.	Cartridge Retaining Nut	x1
3.	Mixer Body (Neck)	x1	14.	Shroud	x1
4.	Spout Connections*	x1	15.	Handle	x1
5.	Mixer Body*	x1	16.	Grub Screw Cap	x1
6.	Plinth	x1	17.	Grub Screw	x1
7.	Washer	x1	18.	Anti-Splash Assembly	x1
8.	Re-enforcing Plate	x1	19.	Handset	x1
9.	'C' Shaped Rubber Washer	x1	20.	Handset Connections*	x2
10.	'C' Shaped Fixing Plate	x1	21.	Flexible Connecting Pipes	x2
11.	Fixing Stud	x1	22.	Non-Return Valves	x1
			23.	Nut & Olive	x2

\* These components are not available as individual spares.

2. Screw fixing stud (11) into the smallest threaded hole in base of mixer tap with screw driver slot away from hole to allow tightening with a suitable flat bladed screwdriver.
3. Fit plinth (6) to base of tap with base seal (7) facing towards the sink/work surface.
4. Carefully screw both inlet flexible connecting pipes (21) into two remaining holes in base of mixer body (5) as tight as possible by hand only (DO NOT OVERTIGHTEN).

## Installation Cont.

**Please note:** It may be necessary (depending on size of hole in sink/work surface) to only fit one flexible connecting pipe to the mixer prior to fitting the mixer and then and then fit the second flexible connecting pipe from underneath after fitting the mixer.

- Fit the mixer tap body (5) with plinth (6) and washer (7) fitted to the top of the sink/work surface feeding the flexible connecting pipes (21) carefully through the fixing hole.

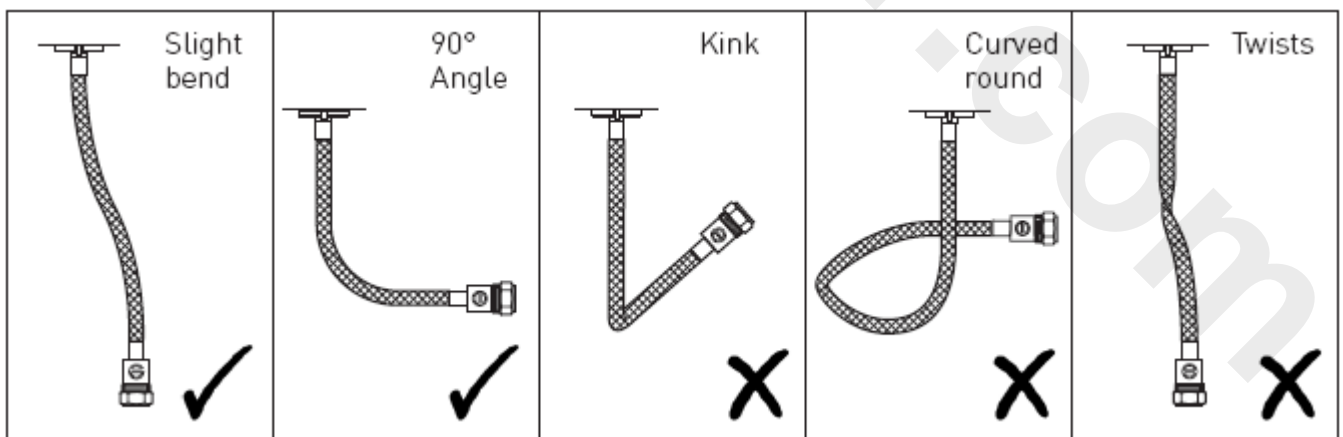
**NOTE:** The re-enforcing plate (8) is an optional component, used to distribute the weight of the sink mixer for use with stainless steel sinks / thin work surfaces. This should be fitted directly underneath the sink / work surface, prior to fitting the C-shaped washer and plate, below.

- Offer up the black C-shaped rubber washer (8) and C-shaped metal plate (9) on to the metal fixing stud (10) and tighten to sink/work surface with small brass nut.
- Connect both inlet flexi connecting pipes (21) with a non-return valve (22) fitted in each between the connecting pipes and the hot and cold water supplies/household pipe work with the arrow on the casing pointing in the direction of the water flow. (The cold inlet pipe under the mixer should be to the rear of the mixer and hot towards the front when viewed from the front).

### Flexible Connecting Tails:

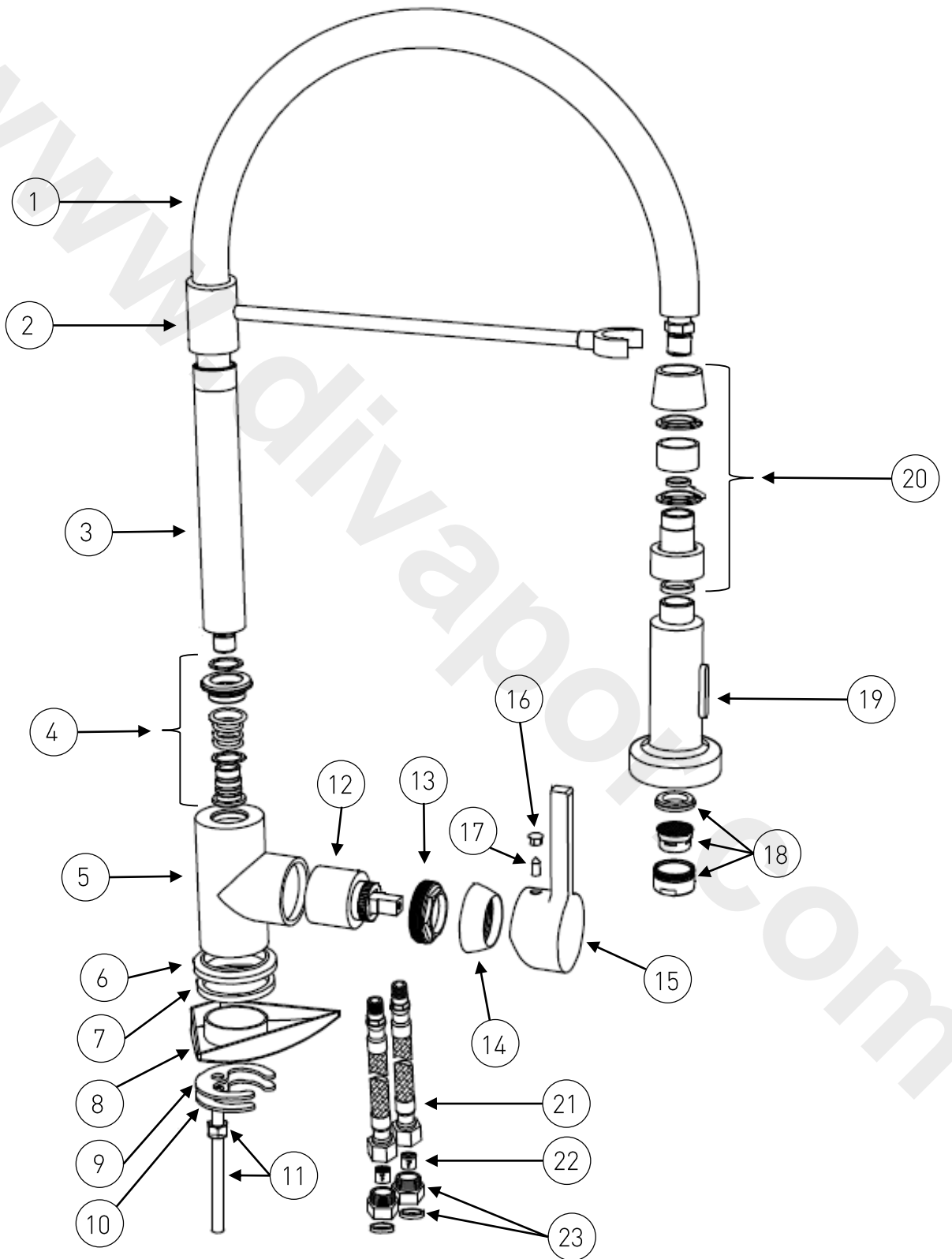
Care must be taken when connecting the flexible connection pipes to the household pipework to ensure they do not bend sharply and kink or twist.

See below for recommended ways to fit the flexible connecting pipes



**⚠ Important:** Failure to follow these guidelines may result in poor performance and damage to the flexible connecting pipes

## Installation cont.



## Maintenance

### General Cleaning

Your fitting has a high quality finish and should be treated with care to preserve the visible surfaces. All finishes will wear if not cleaned correctly. The only safe way to clean your product is to wipe with a soft damp cloth. Stains can be removed using washing up liquid. All bathroom cleaning products (powders and liquids) will damage the surface of your fitting, even the non-scratch cleaners.

**Note:** Never use abrasive detergents or disinfectants or those containing alcohol, hydrochloric acid or phosphoric acid.



Bristan recommend E-cloth for cleaning all of our bathroom & kitchen products. Using just water, E-cloth gives a smear free, deep clean by breaking up and holding dirt, which normal cloths leave behind. Order through your Bristan stockist (order code: E CLOTH).

We advise that your fitting is regularly serviced in hard water areas to maintain optimum performance (see map of Hard Water Regions in the UK on page 09).

If your fitting begins to leak the following should be carried out;

Isolate both hot and cold water supplies to the tap by either:

- Turning the water supply off at the mains stopcock or
  - Turning off the isolation valves to the tap.
1. Remove the cap on the handle body to reveal the concealed grub screw.
  2. Unscrew the grub screw and pull the handle away from the mixer body.
  3. Unscrew the shroud, remove the cartridge retaining nut and pull out the cartridge.
  4. Carefully clean the cartridge seals and seating.
  5. If necessary replace the cartridge.

Please visit [www.bristan.com/sparesfinder](http://www.bristan.com/sparesfinder) in order to find spare parts for this product.

6. Replace the cartridge into the tap body and tighten retaining nut fully.
7. Replace all remaining components and turn on water supply.
8. Check for leaks and contact our helpline if problem persists.

## Troubleshooting

Symptom	Cause	Remedy
No flow or poor flow rate.	Partially closed stop or service valve in water supply pipework to the tap.	Open stop or service valve.
	Head of water is below the minimum distance required.	Refer to the Specification section for minimum pressures required.
	Possible airlock / blockage in supply pipework	Remove water supplies from the fitting and flush the system to remove any airlocks / debris.
	Cartridge / Valve not opening fully.	Service fitting. Refer to maintenance section on page 07.
Water dripping for a few seconds after the tap has been turned off.	This is caused by 'capillary action' and residual water in the spout being siphoned out. This should only last for a couple of seconds.	
Constant dripping / leaking when the tap is not in use.	Cartridge / Valve not fully shutting off.	Service fitting and replace cartridge / valve. Refer to maintenance section on page 07.
Fitting does not turn on.	Water supplies not turned on.	Check that the water supplies to the fitting are turned on.
	Closed stop or service valve.	Open stop or service valve.

## Bristan Guarantee

Bristan offers solid guarantees to provide you with complete peace of mind.

### Taps and Mixers

5 year parts and 1 year labour\*. Gold, painted and special finishes 3 years parts only.

All subject to proof of purchase.

### Mixer Shower Valves

5 year parts. 5 year labour\* (subject to registration), or 1 year with proof of purchase.

Gold, painted and special finishes 3 years parts only.

### Pumps and Power Showers

2 year parts. 1 year labour\* (subject to registration).

### Electric Showers/Instantaneous Water Heaters

2 year parts. 1 year labour\* (subject to registration).

### Accessories

5 year parts only. Includes bathrooms accessories, shower accessories (e.g. hoses, handsets and poles), wastes, WC levers and light pulls. Gold, painted and special finishes 3 years parts only.

### Sanitaryware

5 year parts only. Subject to proof of purchase.

\*Labour provided by an approved Bristan engineer. Guarantee only applies to products with a manufacturing fault. A deferred payment will be necessary in order to secure any visits by our engineers which will be charged if the problem is found **not** to be a manufacturing fault. If the fault is found to be down to a manufacturing error, the payment will be released and not charged.

This guarantee applies to products purchased within the United Kingdom or Republic of Ireland, but does not apply to products used commercially.

The guarantee is only available to original purchasers who have proof of purchase.

The installation must allow ready access to all products for the purpose of inspection, maintenance or replacement.

Any part found to be defective during the above guarantee period will be replaced without charge, providing that the product has been installed in accordance with the instructions, used as intended, and regularly serviced.

Servicing should be carried out at regular intervals of no more than 12 months and more frequently in hard water areas (heavy lime scale) areas.

In the unlikely event that any problems are encountered with the product's performance on installation, you must obtain guidance/authorisation from our Customer Service Department, and be able to supply proof and date of purchase, before any remedial action is taken.

The guarantee excludes general wear and tear and damage caused by accident, misuse or neglect, and does not cover the following:

- Components that are subject to general wear and tear such as filters, seals, 'O' rings and washers etc.
- Damage caused by faulty installation
- Damage caused by lime scale or any waterborne debris
- Damage caused by inappropriate cleaning products (see user instructions)
- Damage caused by the use of non-Bristan parts
- The product being used for a purpose other than intended by the manufacturer.

In the interests of continuous product improvement Bristan reserves the right to alter specification as necessary.



**Guarantee**

# BRISTAN

This booklet covers product code:

LQR PROSNK C

**Helpline**

**0844 701 6273**

Bristan Group Limited

Birch Coppice Business Park, Dordon, Tamworth, Staffordshire B78 1SG

A Masco Company

Website: [www.bristan.com](http://www.bristan.com)

Telephone: 0844 701 6274      Facsimile: 0844 701 6275

Email: [enquire@bristan.com](mailto:enquire@bristan.com)